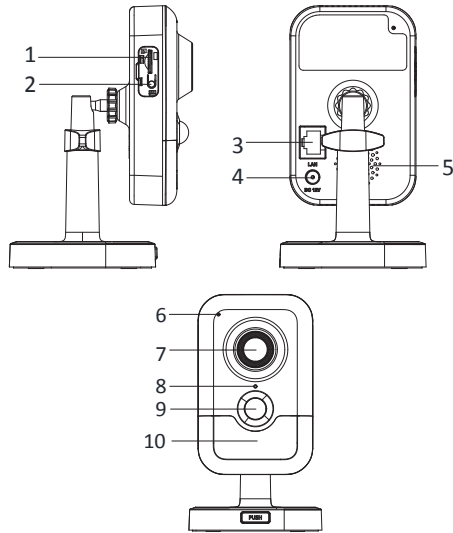


Type III Cube Camera

Quick Installation Guide

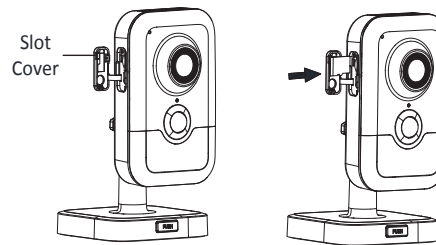


- ❖ The indicator varies according to different device models.
 - Solid red: the camera is starting
 - Slow flashing red: the network connection failed
 - Quick flashing red: the memory card error or other malfunctions
 - Flashing blue: the camera is connected to the network successfully
 - Quick flashing blue/Flashing red and blue alternately: the camera starts successfully and waits Wi-Fi configuration

Installation Steps:

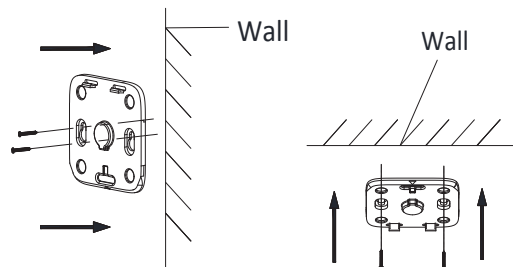
1. Memory Card Installation

- 1) Remove the memory card slot cover.
- 2) Insert the memory card into the slot.
- 3) (Optional) Push the inserted memory card to get it sprung out.
- 4) Replace the slot cover.



2. Camera Mounting

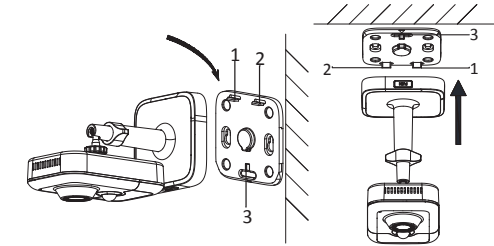
This type of camera supports ceiling mounting and wall mounting. Install the adapter plate to the wall or ceiling with the supplied screws.



3. Buckle the camera base into the adapter plate.

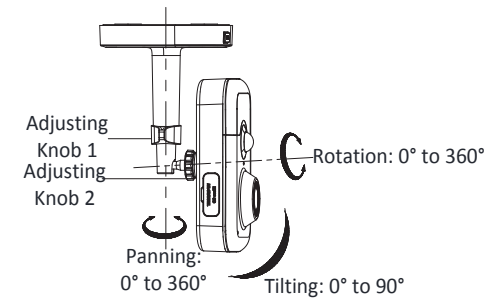
Note:

You are recommended to push into two buckles 1 and 2 first and then the third buckle 3. Then the camera can be fastened firmly on the base.



4. Adjust surveillance angel

- 1). Loosen the adjusting knob 1 to adjust the panning position and tilting position.
- 2). Loosen the adjusting knob 2 to adjust the rotation position.
- 3). After adjusting the angle of the camera to the desired position, fasten the two knobs.



No.	Description	No.	Description
1	Memory Card Slot	7	Lens
2	RESET/WPS	8	Indicator
3	1 RJ45 Ethernet port & PoE	9	PIR sensor
4	Power (12 VDC)	10	IR LED
5	Speaker		
6	Microphone		

Note:

Press RESET about 10s when the camera is powering on or rebooting to restore the default settings, including the user name, password, IP address, port No., etc.

A wireless router with the WPS function is required to enable the WPS function of the camera. Refer the steps below.

- 1) Press the WPS button on the router.
- 2) Press the WPS button (about 2s) on the camera within 120s you enable the WPS of the router to join in the wireless network.

FCC WARNING

This device complies with part 15 of the FCC Rules. Operation is subject to the following two conditions: (1) this device may not cause harmful interference, and (2) this device must accept any interference received, including interference that may cause undesired operation. Any changes or modifications not expressly approved by the party responsible for compliance could void the user's authority to operate the equipment.

NOTE: This equipment has been tested and found to comply with the limits for a Class B digital device, pursuant to Part 15 of the FCC Rules. These limits are designed to provide reasonable protection against harmful interference in a residential installation. This equipment generates, uses and can radiate radio frequency energy and, if not installed and used in accordance with the instructions, may cause harmful interference to radio communications. However, there is no guarantee that interference will not occur in a particular installation. If this equipment does cause harmful interference to radio or television reception, which can be determined by turning the equipment off and on, the user is encouraged to try to correct the interference by one or more of the following measures:

- Reorient or relocate the receiving antenna.
- Increase the separation between the equipment and receiver.
- Connect the equipment into an outlet on a circuit different from that to which the receiver is connected.
- Consult the dealer or an experienced radio/TV technician for help. To maintain compliance with FCC's RF Exposure guidelines, This equipment should be installed and operated with minimum distance between 20cm the radiator your body: Use only the supplied antenna.